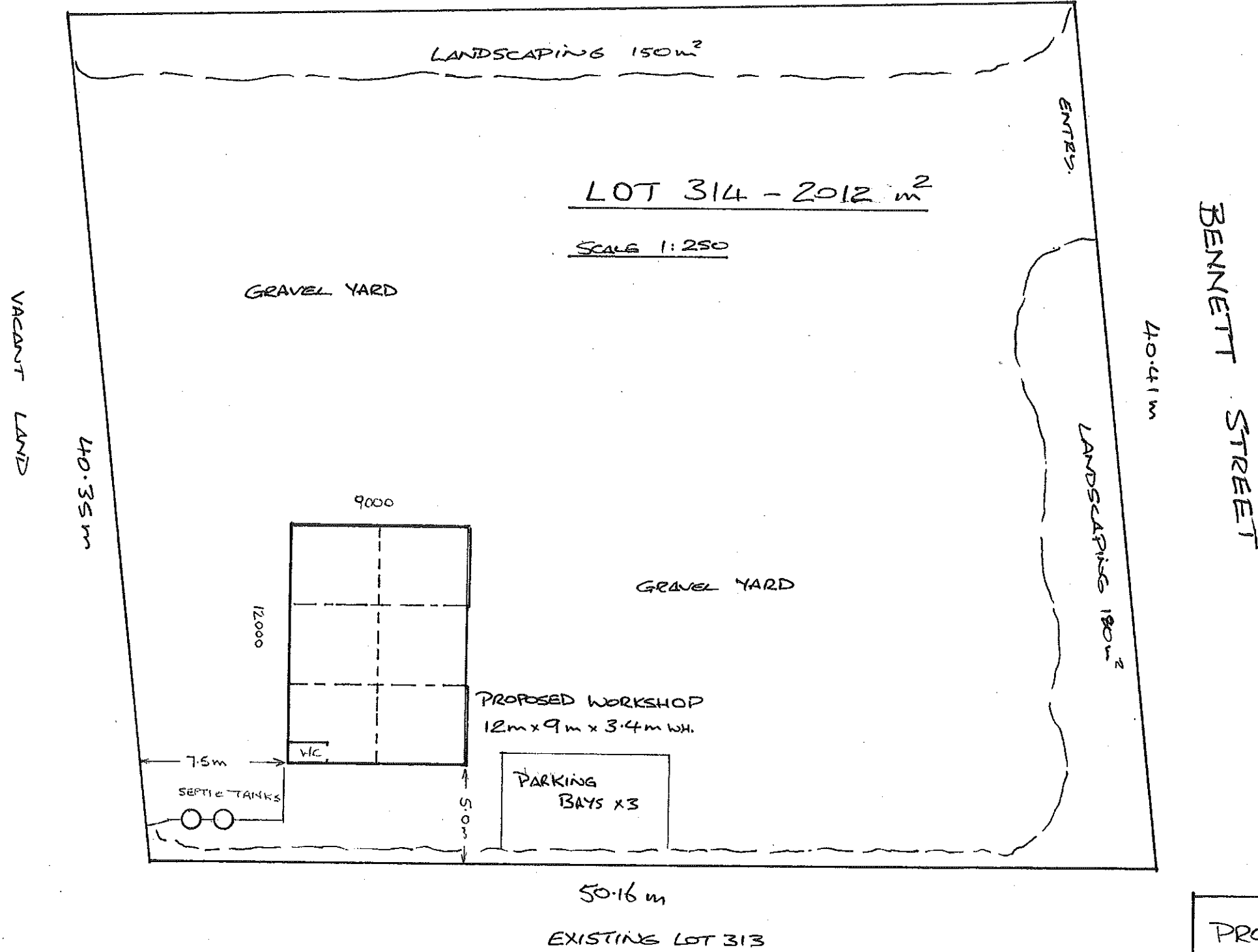


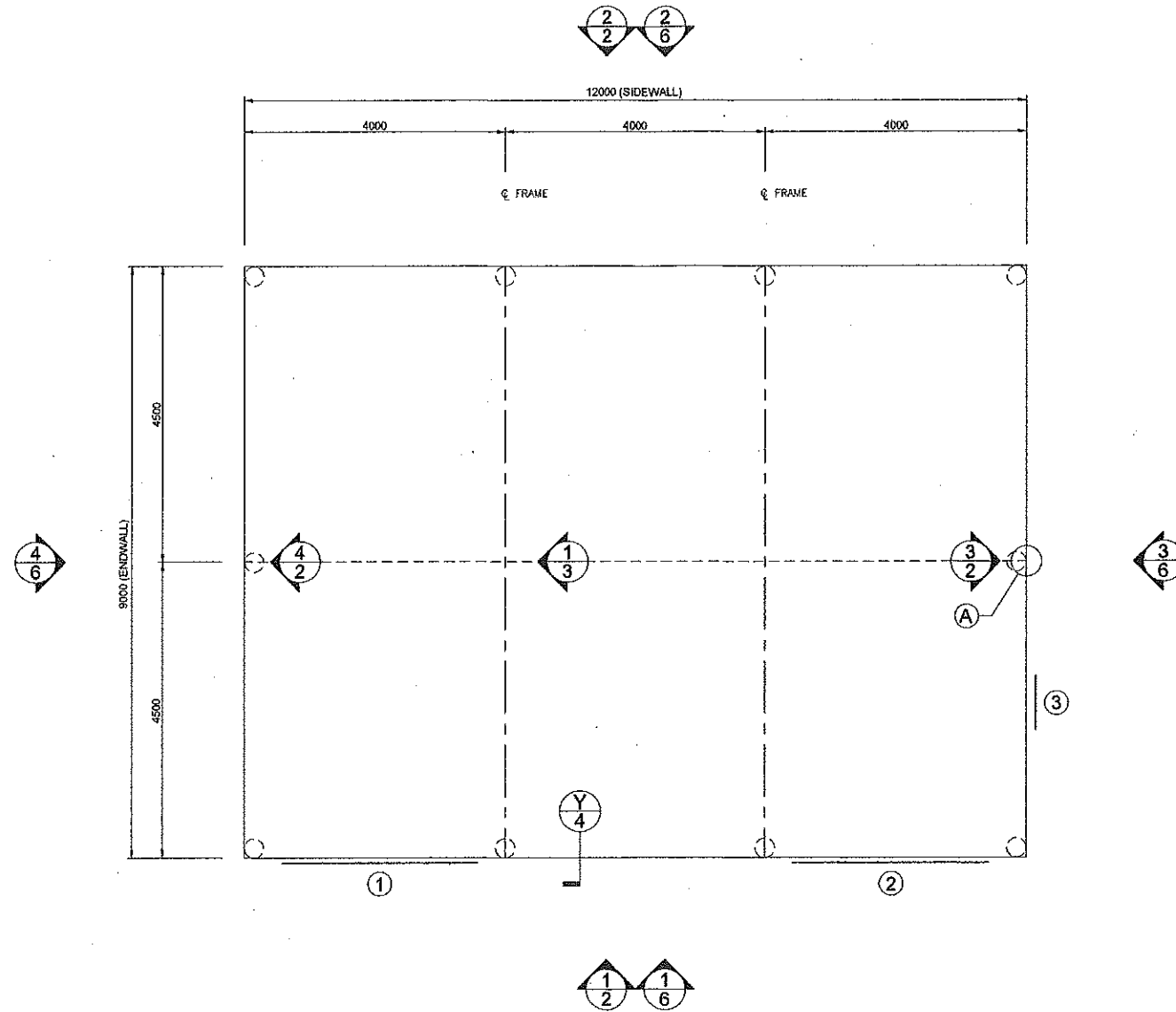
EXISTING LOT 315 (WESTERN POWER YARD)



BENNETT STREET

PROPOSED PLUMBING WORKSHOP & YARD FOR CMB CIVIL.		
DATE 11-6-13	SCALE 1:250	DRAWN SND.

The design and detail shown on these drawings are applicable to this project only and may not be reproduced in whole or any part or be used for any other purpose without the written permission of FBHS (Aust) Pty Limited with whom copyright resides. The local distributor you are dealing with is an authorised independent distributor of Fair Dinkum Homes & Sheds' products and enters into agreements with its customers on its own behalf and not as an agent of Fair Dinkum Homes & Sheds.

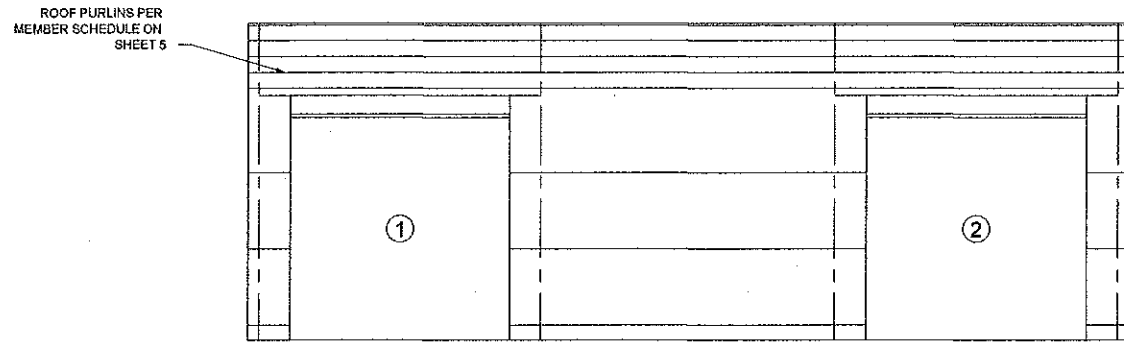


1 FOUNDATION PLAN AND MEMBER LAYOUT  
SCALE: 1 = 100

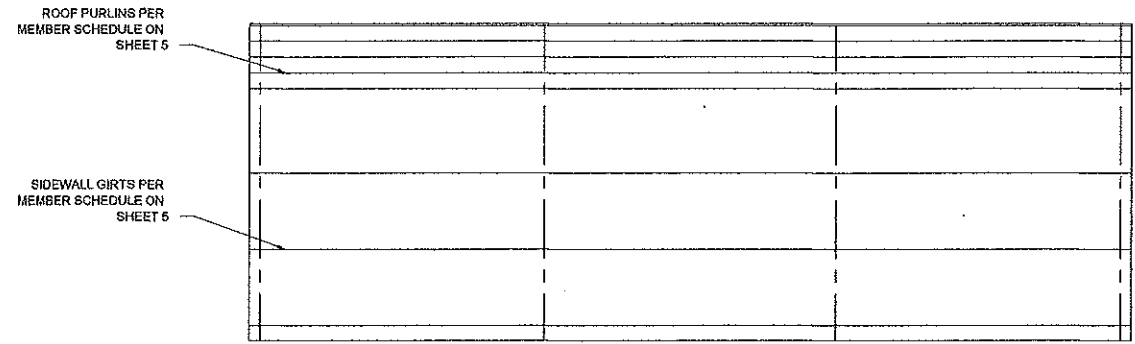
DO NOT SCALE THIS DRAWING. USE FIGURED DIMENSIONS ONLY. ALL DIMENSIONS TO BE VERIFIED ON SITE.

OF <b>1</b> OF <b>6</b>	SHEET	JOB NO. ALBA10026	DATE 10/3/2013	CHECKED TM	DRAWN FDHS	STEEL BUILDING BY <b>SOUTH COAST SHEDS</b> (CONTACT) 0427 087615 FOR <b>CRAIG SULZBERGER</b> AT LOT 314 BENNETT STREET JERRAMUNGUP			Civil & Structural Engineers 50 Punari Street Curralong, Qld 4812 Fax: 07 4725 5850 Email: design@nceng.com.au ABN 341 008 173 56 <b>NORTHERN CONSULTING</b> engineers	Mr Timothy Roy Messer BE MIEAust RPEQ Registered Professional Engineer 2558980 Signature <i>T. Messer</i> Date 10/3/13 Registered on the NPER in the areas of practice of Civil & Structural National Professional Engineers Register
	Registered Chartered Professional Engineer Registered Professional Engineer (Civil & Structural) QLD Registered Certifying Engineer (Structural) N.T. Registered Engineer - (Civil) VIC Registered Engineer - (Civil) TAS	Regn. No. 2558980 Regn. No. 9985 Regn. No. 116373ES Regn. No. EC36692 Regn. No. CC5648M								

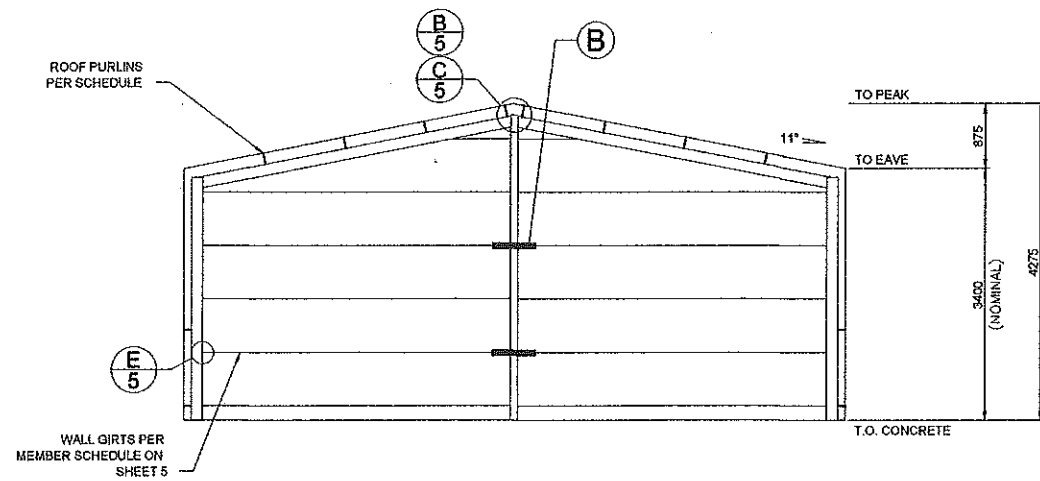
The design and detail shown on these drawings are applicable to this project only and may not be reproduced in whole or any part or be used for any other purpose without the written permission of FBHS (Aust) Pty Limited with whom copyright resides. The local distributor you are dealing with is an authorised independent distributor of Fair Dinkum Homes & Sheds' products and enters into agreements with its customers on its own behalf and not as an agent of Fair Dinkum Homes & Sheds.



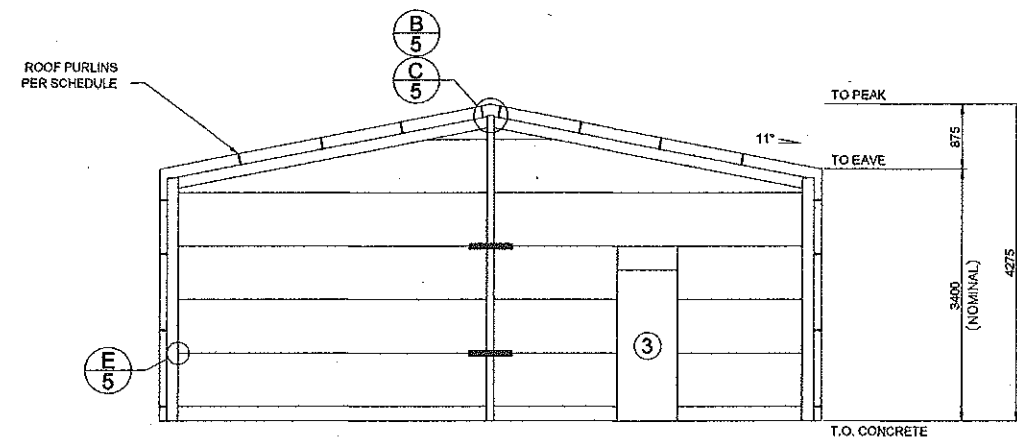
1 SIDEWALL EXTERIOR ELEVATION  
2 SCALE: 1 = 100



2 SIDEWALL EXTERIOR ELEVATION  
2 SCALE: 1 = 100



4 ENDWALL INTERIOR ELEVATION  
2 SCALE: 1 = 100



3 ENDWALL INTERIOR ELEVATION  
2 SCALE: 1 = 100

Diagonal X Bracing not required in this building.  
Cladding Diaphragm Sufficient. Fly Bracing is included in this building to be placed on every second Purlin/Girt.

NOTE: CLADDING OMITTED FOR CLARITY. SEE SHEET #5 FOR CLADDING DETAILS.

2 OF 6 SHEET	JOB NO. ALBA10026	DATE 10/3/2013	CHECKED TM	DRAWN FDHS	STEEL BUILDING BY FOR AT	(CONTACT) <b>SOUTH COAST SHEDS</b> 0427 087615 <b>CRAIG SULZBERGER</b> LOT 314 BENNETT STREET JERRAMUNGUP				Civil & Structural Engineers 50 Punari Street Currajong, Qld 4812 Fax: 07 4725 5850 Email: design@nceng.com.au ABN 341 008 173 56	Mr Timothy Roy Messer BE MIEAust RPEQ Registered Professional Engineer 2558980 Signature <i>T. Messer</i> Date 10/3/13 Registered on the NPER in the areas of practice of Civil & Structural National Professional Engineers Register
	Registered Chartered Professional Engineer Registered Professional Engineer (Civil & Structural) QLD Registered Certifying Engineer (Structural) N.T. Registered Engineer - (Civil) VIC Registered Engineer - (Civil) TAS	Regn. No. 2558980 Regn. No. 8985 Regn. No. 116373ES Regn. No. EC36892 Regn. No. CC5648M									